

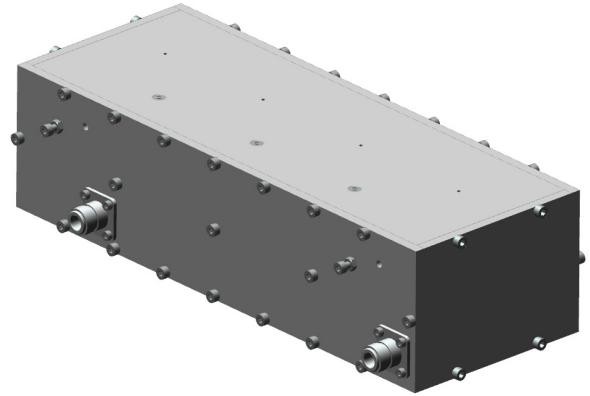
FM Bandpass filter

100 W, RX / TX, 4 Pole



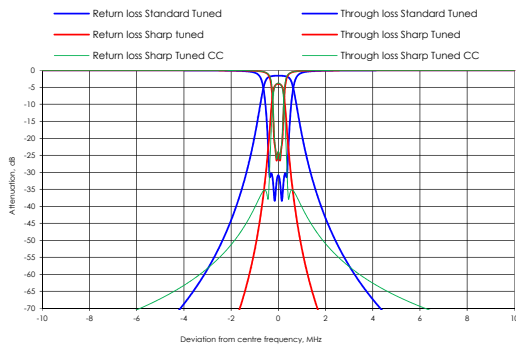
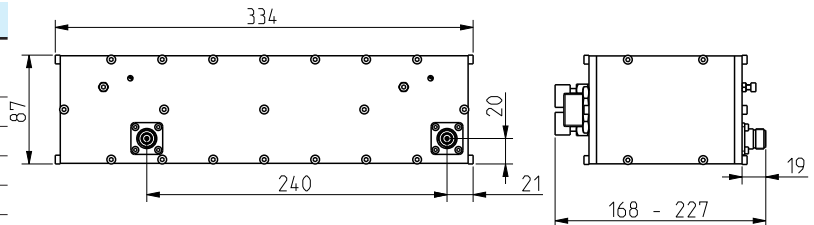
PRODUCT FEATURES

- Flexible design
- Retunable 87 - 108 MHz
- Fits in 19" rack
- Optimised as RX filter as well as TX filter application
- 10-year comprehensive warranty



SPECIFICATIONS	70 mm Series	Optional
FREQUENCY	87 - 108 MHz	-
STANDARD ORDER	4 poles	4 poles with Cross coupling
IMPEDANCE	50 Ohm	-
TEMPERATURE STABILITY	≤ 5 kHz / °C	-
MAX PRODUCT TEMPERATURE	70 °C	-
ENVIROMENTAL CONDITION	0 to 70 °C IP40	-
CONNECTIONS	N female	N male

DIMENSIONS AND WEIGHT	
DIMENSIONS	200 x 334 x 87 mm (7.9 x 13.1 x 3.4 in)
WEIGHT	4 kg (8.8 lb)
STANDARD FRAME	Stand alone
OPTIONAL FRAME	19" front panel, Mounting brackets
COLOUR	Aluminum gray



Article structure: ARTICLE: BPF24C07A-00CC

- BPF** = Filter Type
- 2** = Frequency band
- 4** = Number of poles
- C** = Cavity based
- 07** = Cavity size
- A** = Version
- 0** = Number of cross coupling
0= No cross coupling, 1=Cross coupling
- 0** = No Coating
- C** = Input connection
C= N female, D= N male
- C** = Output connection
C= N female, D= N male

TYPICAL DATA*	Wide tuned	Sharp tuned	Optional Cross coupling
ARTICLE NO	BPF24C07x-00xx	BPF24C07x-00xx	BPF24C07x-10xx
RETURN LOSS (VSWR)	>26 dB (<1.10)	>23 dB (<1.15)	>23 dB (<1.15)
INSERTION LOSS			
Centre frequency	<1.70 dB	<3.70 dB	<4.00 dB
Effective passband @ ± 200 kHz	<1.70 dB	<4.00 dB	<4.00 dB
± 150 kHz	<1.70 dB	<4.00 dB	<4.50 dB
± 200 kHz	<1.80 dB	<5.00 dB	<6.00 dB
± 0.4 MHz	>1.80 dB	>15.0 dB	<32.0 dB
± 0.6 MHz	>4.00 dB	>28.0 dB	<30.0 dB
± 0.8 MHz	>10.0 dB	>38.0 dB	<30.0 dB
± 1.0 MHz	>17.0 dB	>45.0 dB	<33.0 dB
± 1.2 MHz	>23.0 dB	>52.0 dB	<36.0 dB
± 1.5 MHz	>31.0 dB	>60.0 dB	<40.0 dB
± 2.0 MHz	>41.0 dB	>70.0 dB	<43.0 dB
± 2.5 MHz	>49.0 dB	>78.0 dB	<47.0 dB
± 3.0 MHz	>55.0 dB	>83.0 dB	<50.0 dB
GROUP DELAY VARIATION			
(typical)	± 150 kHz <18 ns	<185 ns	<434 ns
	± 200 kHz <32 ns	<365 ns	<759 ns
MAX INPUT POWER RATING**	100 W rms	50 W rms	RX
TEMPERATURE RISE	2 °C / 10 W	4 °C / 10 W	RX

* Data in table is typical data at 100 MHz. The filter can be tuned for other specification or bandwidth, please contact us for a designed specification.

** All average power values and technical data refer to an ambient temperature of + 20 °C with normal air flow. The product can have a maximum surface temperature of + 70 °C. Maximum power capacity may be lower depending on channel allocation. Data are subjected to change without prior notice.