

DAB/DMB Bandpass filter

1,5 kW rms, 6 Pole



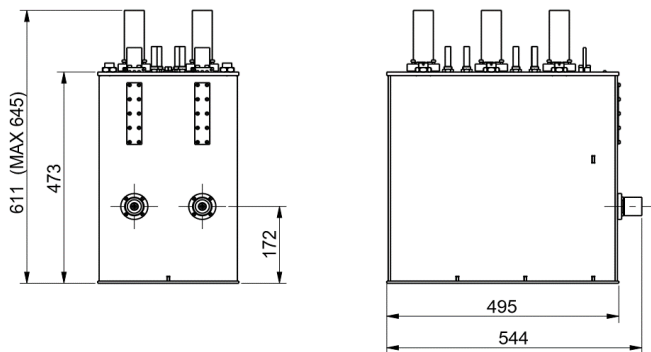
PRODUCT FEATURES

- Compact design
- Retunable
- Low insertion loss
- Temperature compensated
- 10-year comprehensive warranty

SPECIFICATIONS	140 mm Series	Option
FREQUENCY	174 - 240 MHz	-
BANDWIDTH	1.54 MHz	-
STANDARD ORDER	6 poles, 2 cross coupling	-
DAB	Critical Mask	Non Critical Mask
IMPEDANCE	50 Ohm	-
RETURN LOSS (VSWR)	>26 dB (<1.1)	-
TEMPERATURE STABILITY	< ± 1 kHz / °C	-
MAX PRODUCT TEMPERATURE	70 °C	-
ENVIROMENTAL CONDITION	-5 to 70 °C IP40	-
CONNECTIONS	1 5/8" unflange	DIN 7/16, 7/8" unflange

DIMENSIONS AND WEIGHT

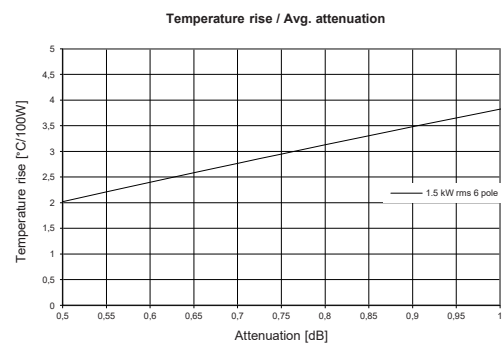
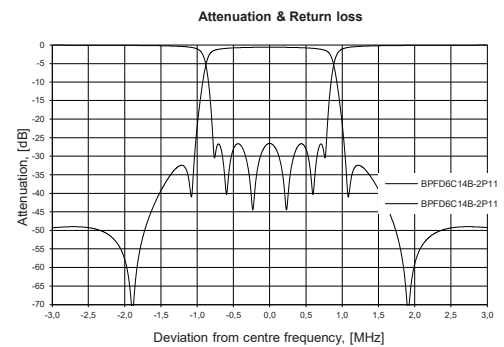
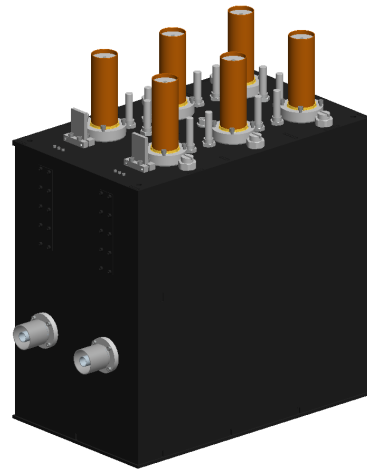
DIMENSIONS	301 x 544 x max 645 mm
L x W x H	(11.9 x 21.4 x max 25.4 in)
WEIGHT	34 kg (75 lb)
STANDARD FRAME	Stand alone
OPTIONAL FRAME	19" subrack
COLOUR	Frosted black



TYPICAL DATA*	DAB/DMB
ARTICLE NO	BPFD6C14x-2Pxx
INSERTION LOSS	
Avg. signal bandwidth	<0.77 dB
Centre frequency	<0.61 dB
Signal band edge	± 0.77 MHz <1.50 dB
	± 0.97 MHz >11.0 dB
	± 1.75 MHz >42.0 dB
	± 2.2 MHz >38.0 dB
	± 3.0 MHz >32.0 dB
GROUP DELAY	<900 ns
MAX INPUT POWER RATING**	1500 W / 11 dB (crest factor)
TEMPERATURE RISE	<3.0 °C / 100 W
MASK COMPLIANT	Critical Mask

* Data in table is typical data at 205 MHz. To fulfil mask transmitter shoulder level must be >36 dB. The reference spectrum includes shoulder of -36dB@±0.97MHz linearly decreasing to -40dB@±1.75MHz, -44dB@±2.2MHz and -50dB@±3.0MHz. The filter can be tuned for other specification or bandwidth, please contact us for a designed specification.

** Max input power at <50 °C tempce at max frequency



ARTICLE: BPFD6C14B-2P11

- BPF** = Filter type
D = Frequency band
6 = Number of poles
C = Cavity based
14 = Cavity size
B = Version
2 = Number of cross coupling
P = Coating and cooling
1 = Input connection
 A=7/16 female, B=7/16 male
 7=7/8" unflange, 1=1 5/8" unflange
1 = Output connection
 A=7/16 female, B=7/16 male
 7=7/8" unflange, 1=1 5/8" unflange